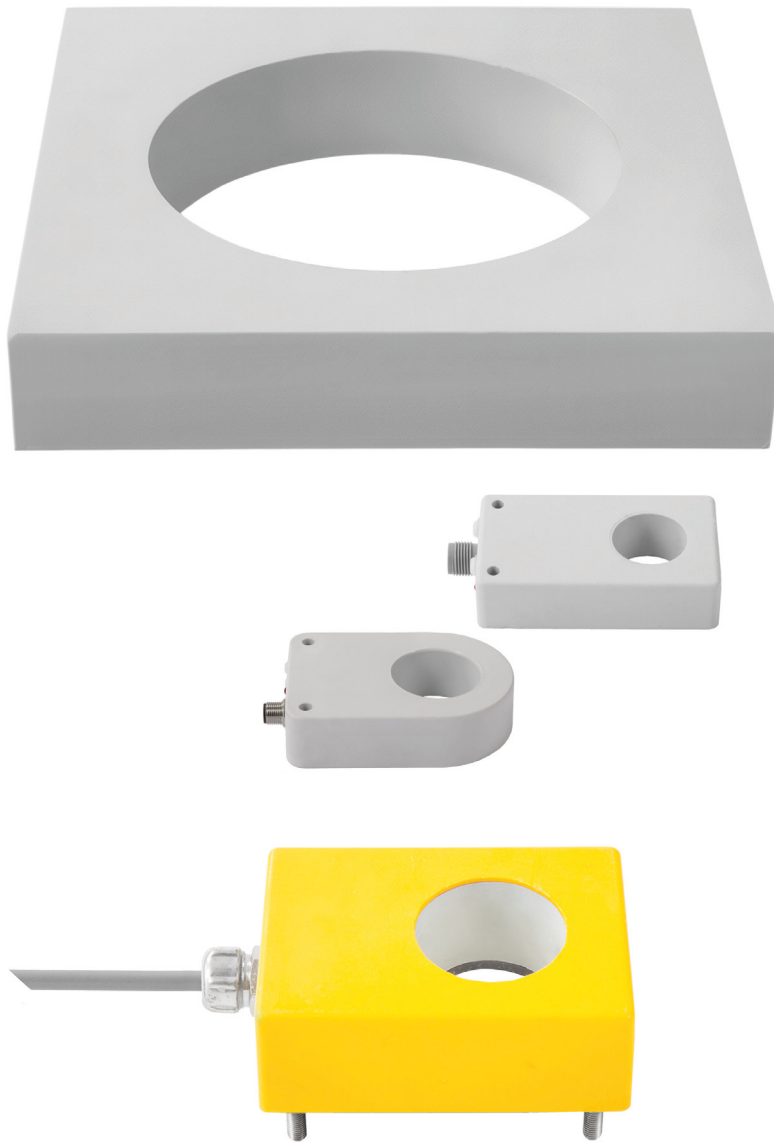





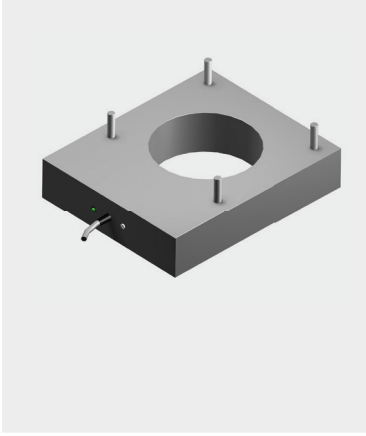
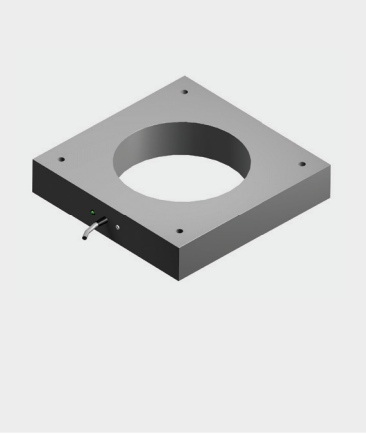
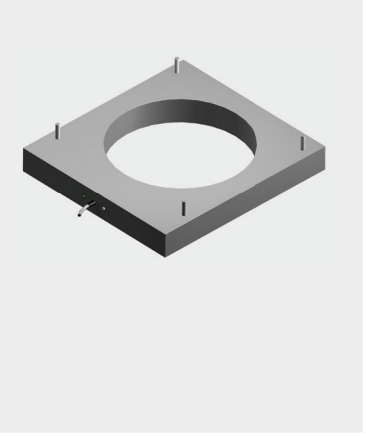
Inductive Ring Sensors Ø 10 - 270 mm



Detection of metallic objects



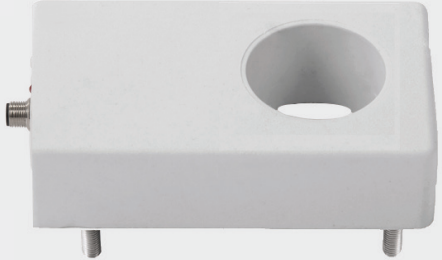
Nails - Welding bolts - Counting of parts - Ejection monitoring - Wire crack indication

| Aperture Ø [mm] | 10 | 15 | 25 |
|------------------------|---|--|---|
| Sensitivity | ≥ 2 mm Ø (Steel ball St37) | ≥ 3 mm Ø (Steel ball St37) | ≥ 4 mm Ø (Steel ball St37) |
| Sensitivity adjustable | yes | yes | yes |
| Target velocity | max. 60 m/s | max. 60 m/s | max. 60 m/s |
| |  |  |  |
| Dimension L x W x H | 80 x 45 x 20 mm | 80 x 45 x 20 mm | 80 x 45 x 20 mm |
| Fixing | 2 x Ø 4,5 mm, distance 33 mm | 2 x Ø 4,5 mm, distance 33 mm | 2 x Ø 4,5 mm, distance 33 mm |
| Type | IKV 010 | IKV 015 | IKV 025 |

| Aperture Ø [mm] | 120 | 170 | 270 |
|------------------------|---|--|---|
| Sensitivity | ≥ 30 mm Ø (Steel ball St37) | ≥ 40 mm Ø (Steel ball St37) | ≥ 60 mm Ø (Steel ball St37) |
| Sensitivity adjustable | yes | yes | yes |
| Target velocity | max. 10 m/s | max. 10 m/s | max. 5 m/s |
| |  |  |  |
| Dimension L x W x H | 240 x 200 x 50 mm | 260 x 260 x 50 mm | 390 x 360 x 50 mm |
| Fixing | 4 x M8 x 30, 140 x 160 mm | 4 x Ø 9 mm, 210 x 210 mm | 4 x M8 x 30, 290 x 320 mm |

The response sensitivity can be adjusted. The nominal sensitivity is referred to a ball of steel (St37). In case of pins or wires considerably smaller diameters are detected. Brass, aluminium or copper reduce the sensitivity.

The output of the ring sensor operates statically, the output is switched as long as a metallic object is in the aperture. When objects fall through the ring sensor quite quickly the output pulses can be very short. The optional pulse extension acts as an adjustable switch-off delay and enables reliable detection even with very short dwell times for the connected signal processing.

| | 45 | 60 | 80 |
|--|---|--|---|
| | ≥ 9 mm Ø (Steel ball St37) | ≥ 12 mm Ø (Steel ball St37) | ≥ 16 mm Ø (Steel ball St37) |
| | yes | yes | yes |
| | max. 20 m/s | max. 15 m/s | max. 15 m/s |
| |  |  |  |
| | 115 x 80 x 30 mm | 145 x 100 x 50 mm | 200 x 150 x 64 mm |
| | 2 x Ø 7 mm, distance 60 mm | 4 x M8 x 30, 120 x 75 mm | 4 x M8 x 30, 160 x 110 mm |
| | IKV 045 | IKV 060 | IKV 080 |

The attainable sensitivity depends on the material of the metal object and can be calculated using the correction factor:

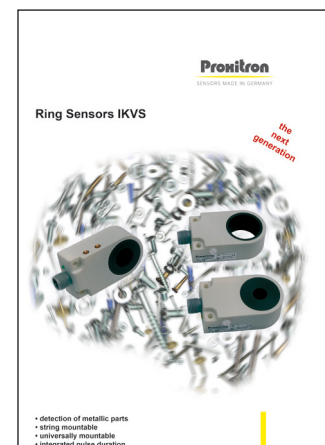
| material | metal foil | steel | stainless steel | brass | aluminium | copper | nickel | cast iron |
|-------------------|------------|-------|-----------------|-------|-----------|--------|--------|---------------|
| correction factor | 1,2 | 1 | 0,5 ... 0,8 | 0,45 | 0,4 | 0,3 | 0,7 | 0,93 ... 1,05 |

$$\text{Sensitivity (new)} = \text{Sensitivity (Steel ball)} \times \frac{1}{\text{correction factor}}$$

Mounting in series with small distance between the sensor can result in troubles because of interference. This can be prevented by using either a combination of sensors with offset oscillation frequencies (see type code) or ring sensors of the series IKVS with integrated shielding.

Ring sensors series IKVS with integrated screening

- suitable for row packaging on the narrowest room
- adjustable sensitivity
- three diameter sizes in n.c. or n.o. version
- with plug or connection cable available



Please also view our brochure about the ring sensor series IKVS.

Ring Sensors

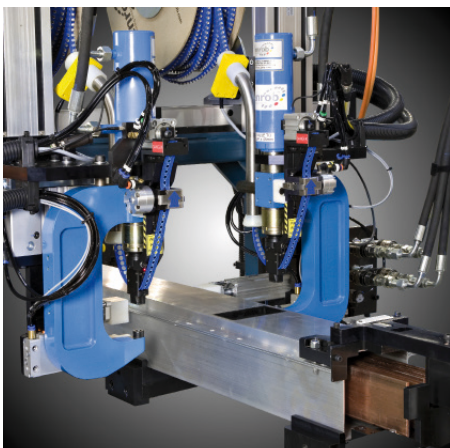
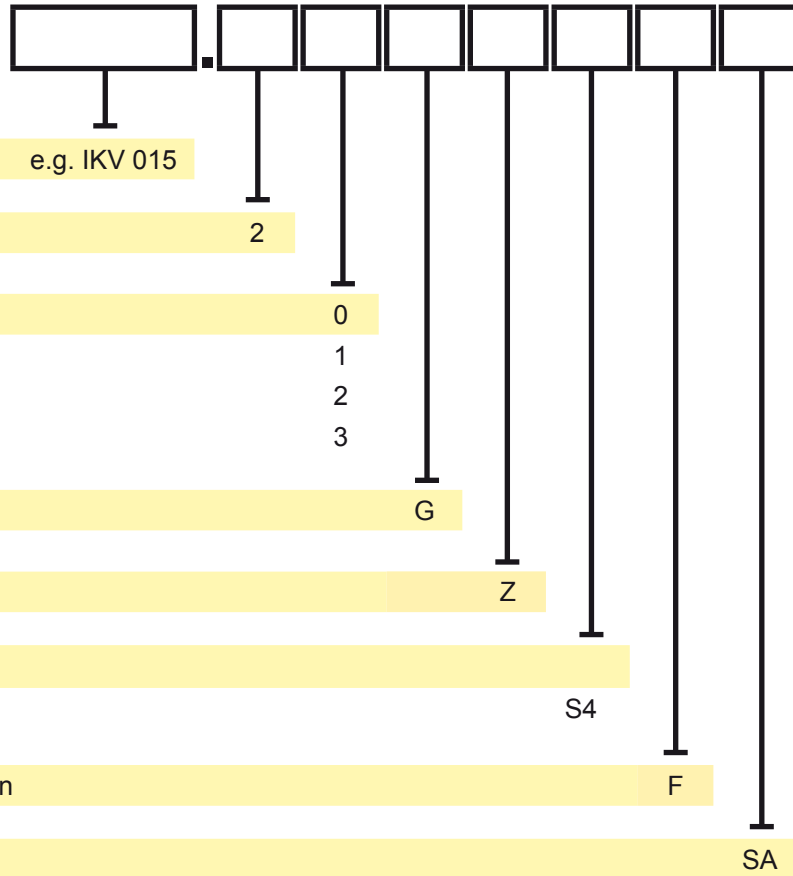
General information

Inductive ring sensors made by Proxitron detect metal objects inside the ring-shaped entry. In particular the supply of small objects e.g. nails or bolts is reliably observable. The smallest design has a size of 60x30x16 mm only while having an aperture of 10 mm up to 25 mm.



- detects nails, screws, studs etc.
- parts counting
- ejection detection
- flow control in assembly technology
- congestion reporting in delivery tubing
- simple installation
- fully reliable

Type code



Proxitron

SENSORS MADE IN GERMANY

Proxitron GmbH
Gärtnerstr. 10
D-25335 Elmshorn
Tel. +49 (0) 4121/2624-0
Fax. +49 (0) 4121/2624-10
mail@proxitron.de